



User Manual

8K USB-C to HDMI Adapter

ISB280

Contents

What's included.....	3
Introduction.....	3
Standards & Compliance	3
Features	3
Specifications	4
Ports and Interfaces	5
Application Diagram	6
Troubleshooting.....	7

What's included



Q.1 Main Unit

Introduction

The Bundl ISB280 makes expanding your desktop easy with Plug and Play USB-C 3.1 connectivity to your laptop or desktop. Connect one 8K30 display, or two 4K60 displays to add significant work area to your computer. The adapter is great for workstations and gaming, but also supports HDR10, 3D and 7.1 channel audio making it a great choice as well for home theater and movies.

The adapter lets you harness the video capabilities built into your USB 3.1 Type-C™ connection, to deliver the astonishing quality of Ultra HD to your 4K display. Plus, the adapter is backward compatible with 1080p displays, which makes it a great accessory for home, office or other workspace applications.

This USB 3.1 Type-C™ video adapter is highly portable with lightweight design, perfect accessory for your MacBook, MacBook Pro, Lenovo YOGA or ChromeBook Pixel™, fitting easily into your laptop bag or carrying case.

Note: Your USB-C™ equipped device must support video to work with this adapter.

Standards & Compliance

8K USB-C HDMI

Features

- Supports UHD video resolutions up to 8K@30Hz fixed for Single HDMI display or 4K@60Hz (4:4:4) for Dual HDMI displays (needs you USB-C devices to supports 8K resolution output and enough bandwidth)
- Supports MST functions allowing for extended, mirrored or duplicated screens along with HDR 10, 3D, DSC (Display stream compression) and 7.1 channel audio
- Built-in USB Type C cable to be connected directly to your source device
- Supports power deliver function up to 100W with PD 3.0 standard
- Supports one USB 2.0 port up to 480Mbps data transmission with 5V 0.5A power supply capacity

- Compatible with Thunderbolt 3
- Compatible with DP1.4 alt mode
- Compact design with ABS case
- Plug and play with no driver or software installation

Note:

1. MST function only works when notebook under windows OS, for MAC OS product only support SST function.
2. To output 8K@30Hz 4:4:4, the notebook's USB-C output has to support bandwidth compatible the DP 1.4 standard or thunderbolt 3

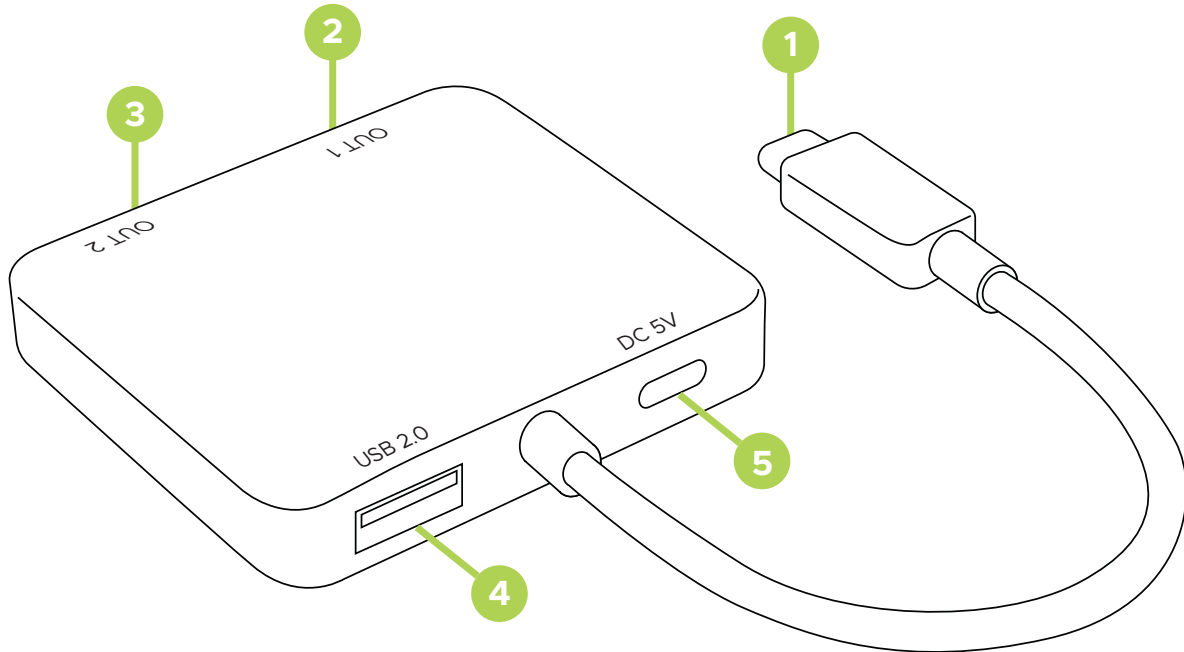
Specifications

Standards & Compliance	
Signal Standards	HDMI 2.0
Regulatory Certifications	CE, FCC, RoHS
Connector Types	
HDMI Inputs	1 × HDMI IN (Type A, 19-pin female)
HDMI Outputs	2 × HDMI OUT (Type A, 19-pin female)
USB Input	1 × USB IN (USB-C male)
Performance	
Video Bandwidth	18 Gbps
Color Space	RGB
Color Depth	4:2:2, 4:4:4, 4:2:0, 8-bit, 10-bit, 12-bit
Environment	
Operating Temperature	34 to 140°F / 0 to 60°C
Storage Temperature	34 to 140°F / 0 to 60°C
Relative Humidity	5 to 90% RH (no condensation)
Enclosure	
Product Dimensions (W × D × H)	2.48 in × 1.97 in × 0.43 in (63mm × 50mm × 11mm)
Warranty	
Parts	1 year
Labor	1 year

Note: Specifications are subject to change without notice.

8K USB-C HDMI

Ports and Interfaces

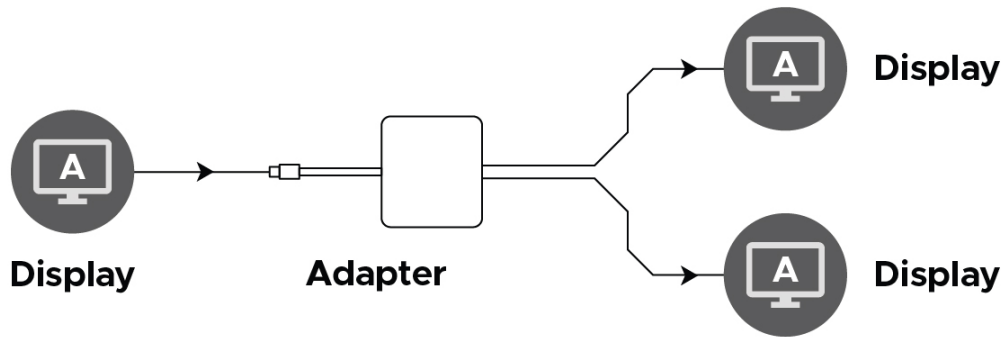


1. USB-C Male: Connect to the USB-C Enable Laptop/Notebook with Audio Video Output
2. OUTPUT 1: HDMI Output 1 Port upto 8K@30Hz for Single Display and 4K@60Hz for Dual Displays
3. OUTPUT 2: HDMI Output 2 Port 4K@60Hz for Single or Dual Displays
4. USB2.0 Port: Connect the USB2.0 Standard Device
5. PD: USB-C Power Deliver Port for Charging the connected laptop or devices

Application Diagram

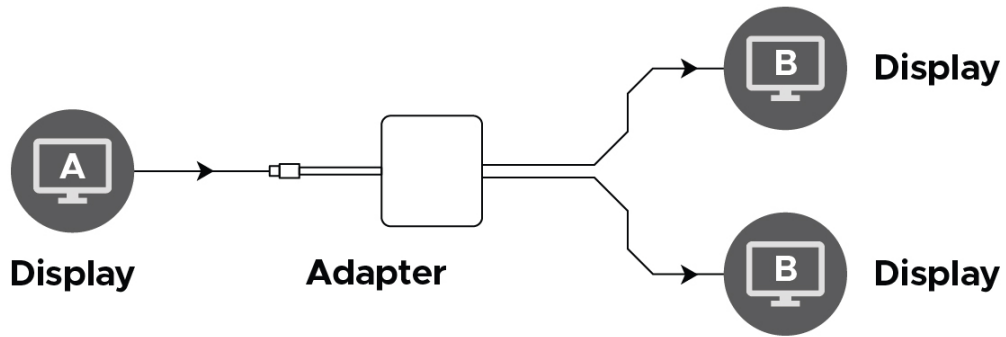
Mirror mode

macOS Windows



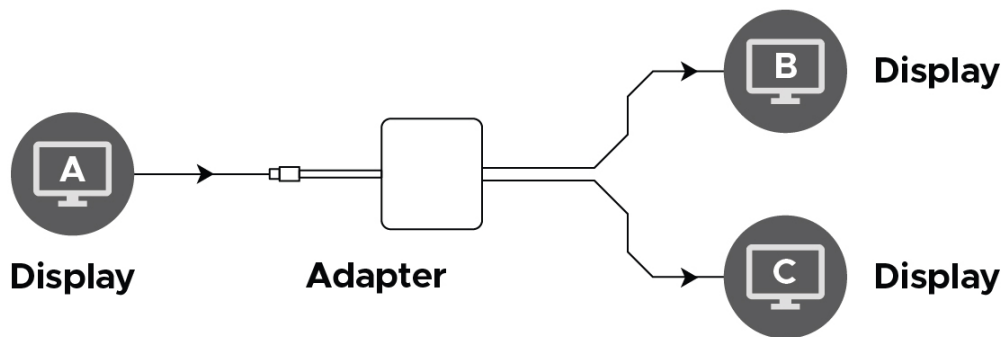
Extended Desktop mode

macOS Windows



Multi-stream Transport (MST)

Windows



Troubleshooting

Problems	Causes	Solutions
No picture output	Maybe the resolution is beyond the display supports or cable connection is not fitting well	Please change the laptop output resolution to a lower resolution and check the cable connection condition
Can't achieve the 8K@30Hz 4:4:4 resolution	Maybe the output display is an 8K@30Hz display	Please use to a newer 8K@30Hz monitor via DisplayPort
Can't achieve the 4K@60Hz 4:4:4 resolution for both outputs	Maybe the notebook's USB-C output bandwidth is not enough or connect both 4K@60Hz monitor	Please change to a laptop compatible with the DP 1.4 standard or thunderbolt 3 or change a 4K@60Hz monitor to a 4K@60Hz monitor to get 4K@60Hz to two outputs simultaneously



The Adopted Trademarks HDMI, HDMI High-Definition Multimedia Interface, and the HDMI Logo are trademarks or registered trademarks of HDMI Licensing Administrator, Inc. in the United States and other countries.

For further information,
contact support@bundltech.com



© 2025 Bundl. Bundl, the Bundl logo, and other Bundl marks are owned by Bundl and may be registered trademarks. All other trademarks are the property of their respective owners. Bundl assumes no responsibility for any errors that may appear in this publication. Product, pricing, and feature information contained herein are subject to change without notice.